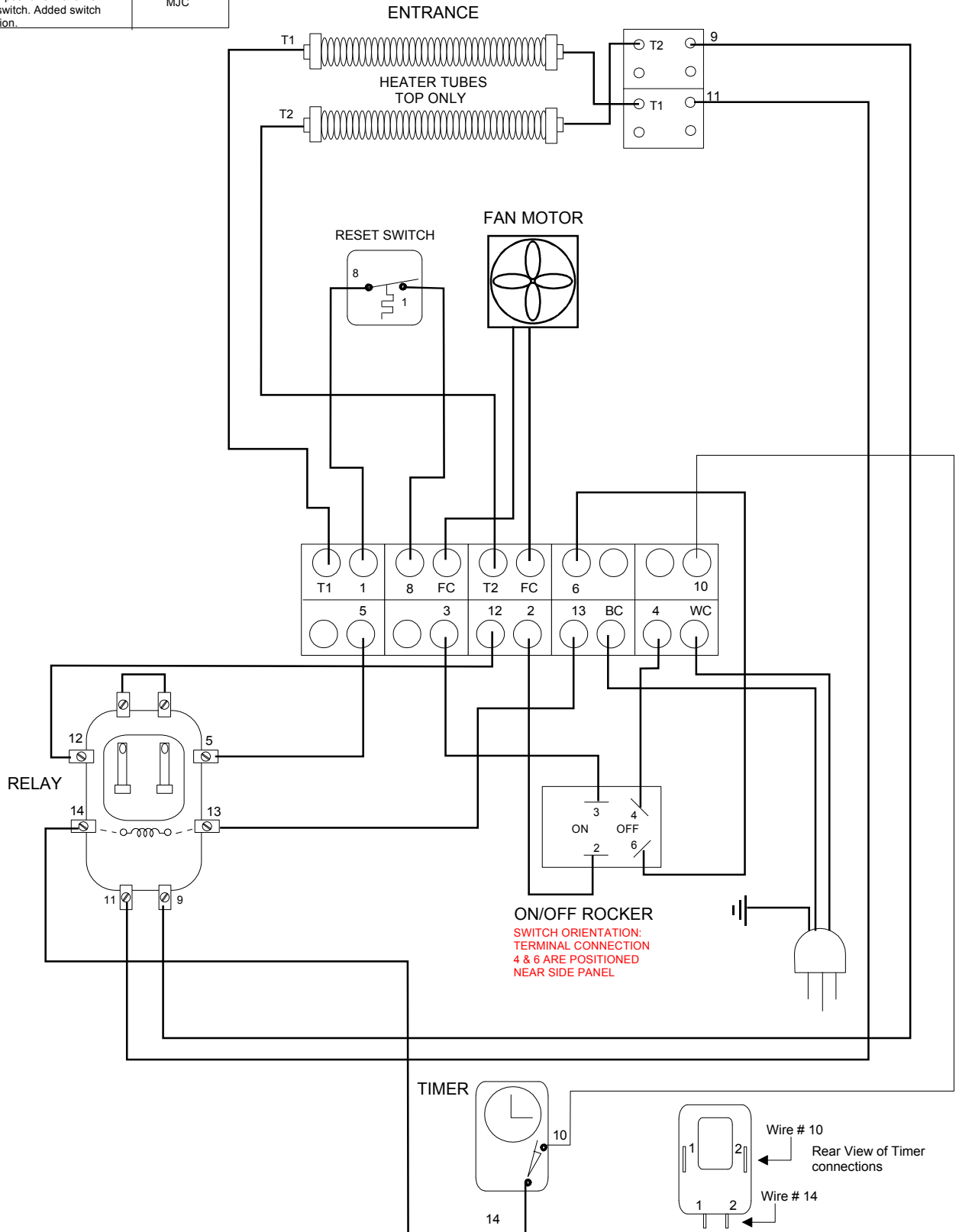


REVISION			
REV	DATE	DESCRIPTION	Approved
A	09/16/2013	Redraw Timer Connections	MJC
B	12/11/2013	Change pos. of ON & Off on rocker switch. Added switch orientation.	MJC



BELLECO INC. FOOD EQUIPMENT SPECIALISTS P. O. BOX 880 SACO ME 04072	DRAWN BY: MICHAEL CLAVET	WIRE DIAGRAM JW1/JW 2 120 VOLT SINGLE PHASE
	DATE: 12/11/2013	