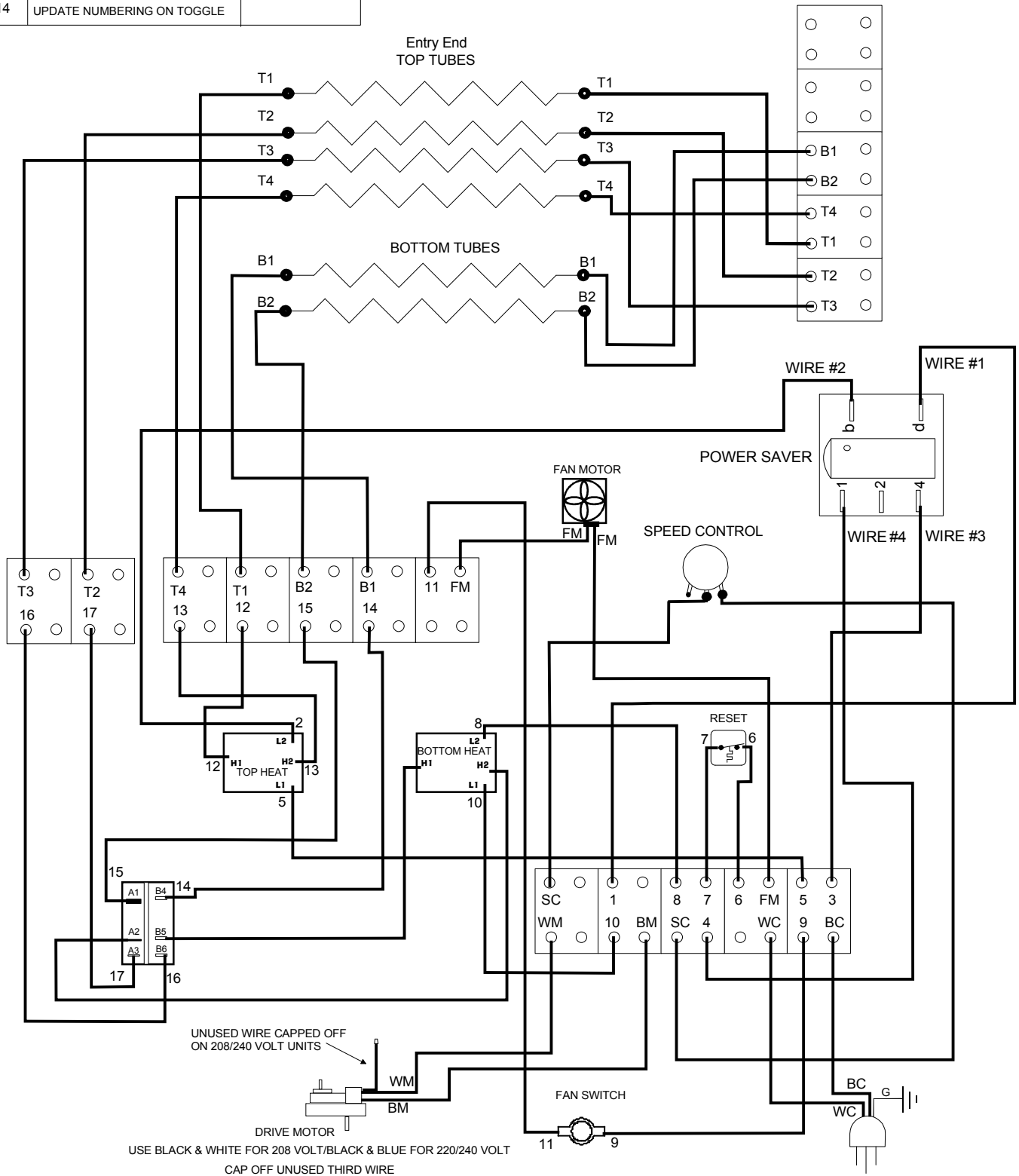


WD030B

REVISION			
REV	DATE	DESCRIPTION	ECN #
A	9/9/13	SHOW NEW TOGGLE SWITCH	
B	8/27/14	UPDATE NUMBERING ON TOGGLE	



BELLECO INC. FOOD EQUIPMENT SPECIALISTS P. O. BOX 880 SACO ME 04072	DRAWN BY: MICHAEL CLAVET	WIRE DIAGRAM WD030B JT3BH 208, 220, 240 VOLT SINGLE PHASE
	DATE: 8/27/2014	