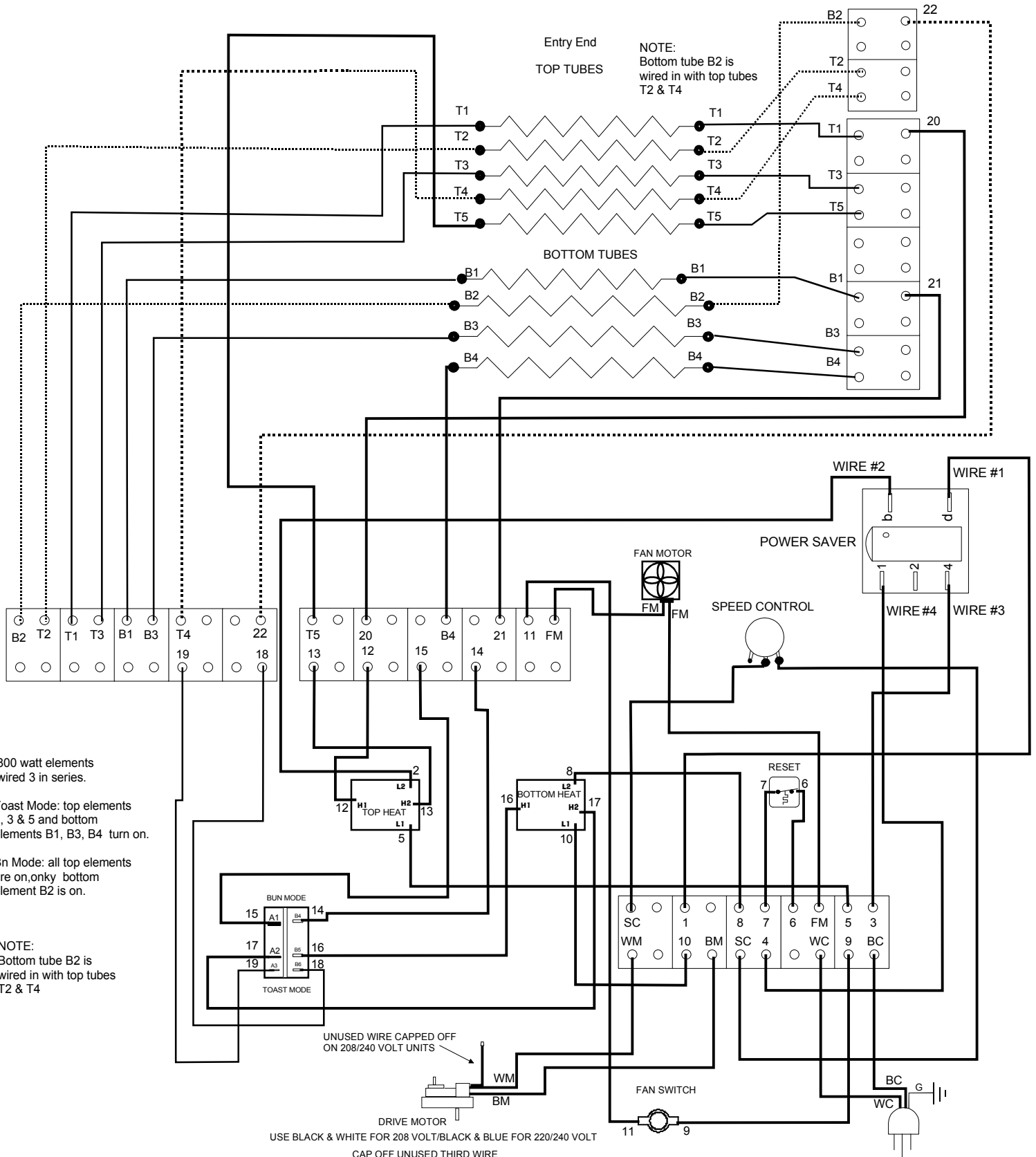


WD049

REVISION			
REV	DATE	DESCRIPTION	ECN #



BELLECO INC. FOOD EQUIPMENT SPECIALISTS P. O. BOX 880 SACO ME 04072	DRAWN BY: MICHAEL CLAVET	WIRE DIAGRAM WD000 JT2000- 208, 220, 240 VOLT SINGLE PHASE
	DATE: 02/20/2014	